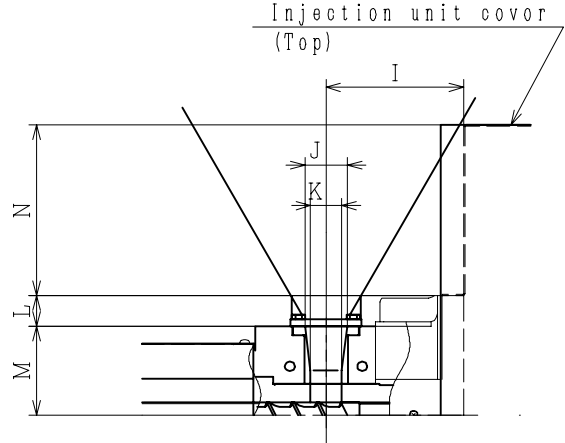
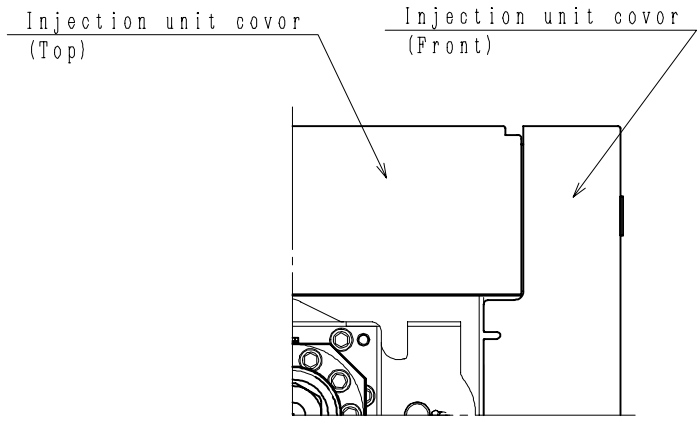
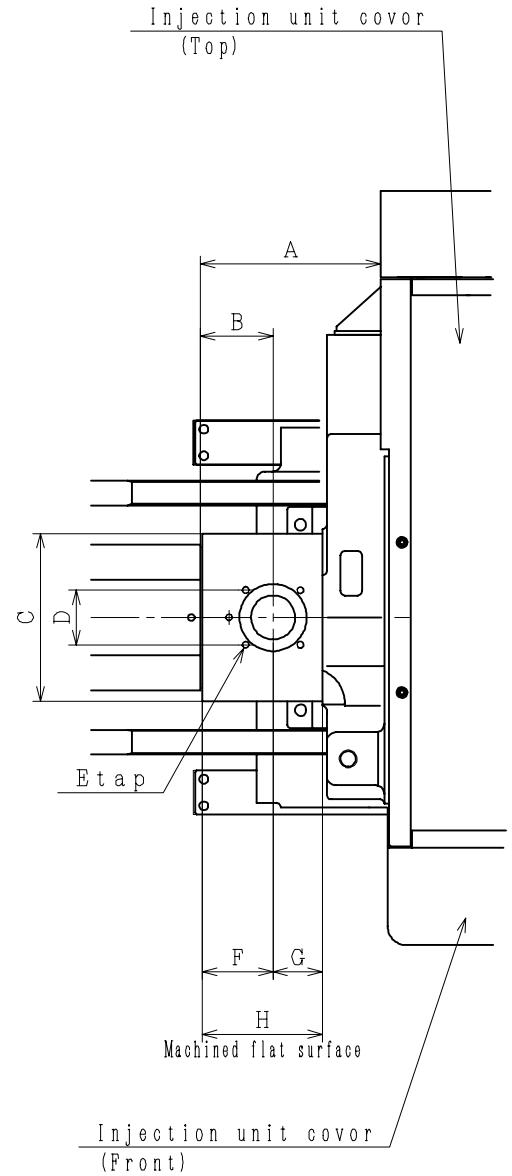


	2.5H·2.5U		
	φ24	φ28	φ32
A	192	204	371.5
B	70	82	92
C	190	190	190
D	62	62	85
E	M8×10 \varnothing	M8×10 \varnothing	M10×18 \varnothing
F	68	80	90
G	56	56	80.5
H	124	136	170.5
I	156	156	180.5
J	φ48	φ48	φ75
K	φ35	φ35	φ50
L	55	35	15
M	80	100	120
N	193	193	193

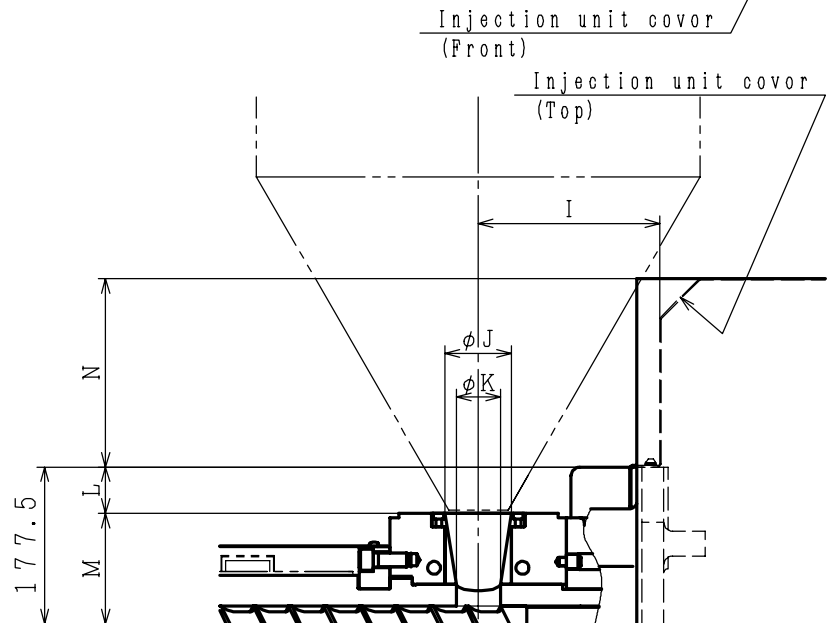
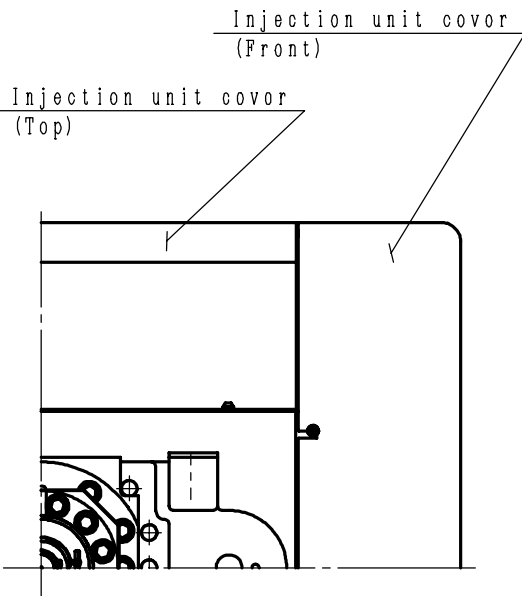
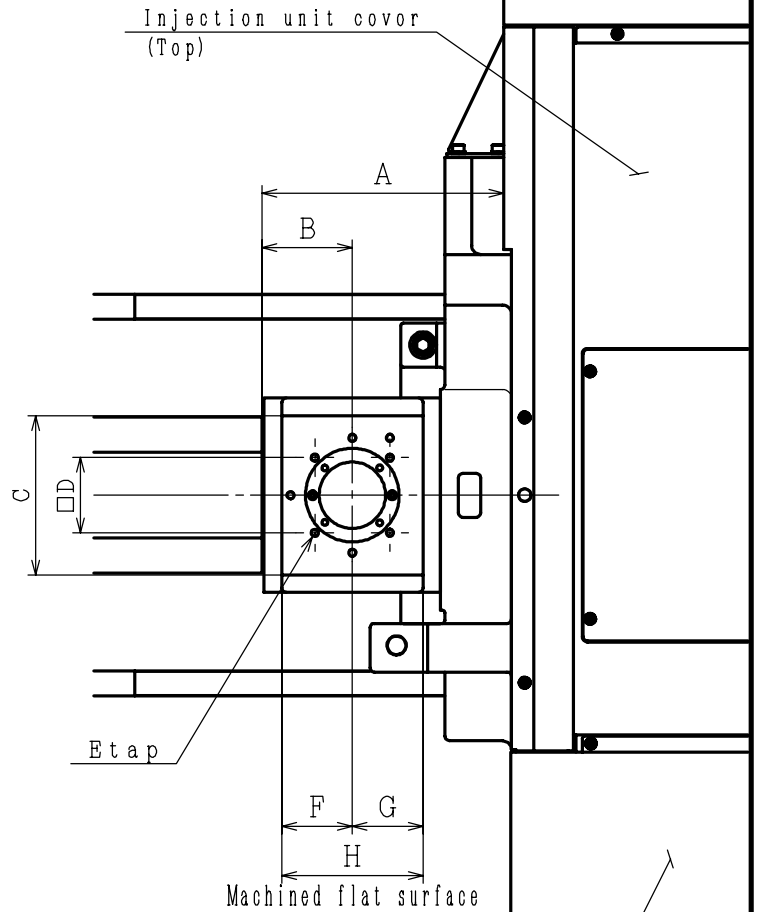


130MEt III (CE)
 DETAIL DWG. OF HOPPER PART (1)

T49316

10-900

	3.5S·3.5H	3.5S·3.5H·7H			7H
	φ28	φ32	φ36	φ40	φ46
A	209	243.5	243.5	273	273
B	82	92	92	102	102
C	190	190	190	180	180
D	62	85	85	85	85
E	M8×10 \varnothing	M10×18 \varnothing	M10×18 \varnothing	M10×18 \varnothing	M10×18 \varnothing
F	80	90	90	80	80
G	56	80.5	80.5	80	80
H	136	170.5	170.5	160	160
I	161	185.5	185.5	205	205
J	φ48	φ75	φ75	φ75	φ75
K	φ35	φ50	φ50	φ50	φ50
L	77.5	57.5	57.5	52.5	52.5
M	100	120	120	125	125
N	213	213	213	213	213



130MEt III (CE)

DETAIL DWG. OF HOPPER PART (2)

T49317

10-900